



- Meets AWWA C708 Accuracy
- Hot or Cold meter models
- Pulse Output
- ECO Brass - No Lead

The MultiMag™ series water meters utilize multijet principles for accurate water measurement and are known for their simplicity, longevity and accuracy. The MultiMag™ is tested to the most recent AWWA C708 accuracy standards. The pulse output capability allows for the MultiMag™ to be used for remote reading. The MultiMag™ is intended for horizontal applications. In addition to the various sizes, the MultiMag™ is also available in hot and cold versions.

Technical Characteristics

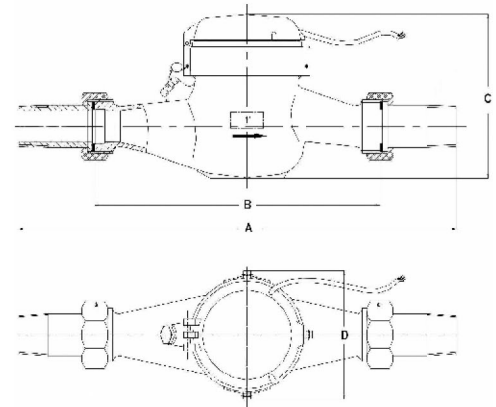
TEMPERATURECold105° F
 Hot194° F

MAX PRESSURE150psi

MATERIALSBody.....ECO Brass - NO LEAD
 Internals.....Thermoplastic

PULSE OUTPUT.....6mA @ 12vdc

PULSE VALUE.....1/1gal or 1/10gal



| FLOW RATE | | | | | |
|------------|------|------|--------|-------|---------|
| GPM | 3/4" | 1" | 1-1/2" | 2" | % Error |
| MIN | 0.5 | 0.75 | 1.5 | 2 | 3 |
| MAX | 30 | 50 | 100 | 160 | 1.5 |
| CONTINUOUS | 15 | 25 | 50 | 80 | |
| RANGE | 2-30 | 3-50 | 5-50 | 8-160 | |

| DIMENSIONS | | | | |
|------------|-------|--------|---------|--------|
| | 3/4" | 1" | 1-1/2" | 2" |
| A | 11.5" | 15.6" | 17.8" | 21.0" |
| B | 7.5" | 10.75" | 12.625" | 15.25" |
| C | 5.3" | 5.3" | 6.8" | 6.8" |
| D | 3.9" | 3.9" | 4.8" | 4.8" |
| Weight | 4 lb. | 5 lb. | 10 lb. | 14 lb. |